

BC



BEACH CLEANERS

BC 200

Simex BC Beach Cleaners easily sift wet or dry sand to remove fine debris, small stones and cigarette butts. The debris is easily collected and discharged thanks to the high capacity hopper and hydraulic discharge activated from the cabin. Sifters available with screening grades in: 10x10 mm, 15x15 mm, 20x20 mm.

WATCH THE VIDEO

Scan the QR code using your smartphone



Optical control of working depth

Quick change of sifters.
Standard sifter: 15x15 mm.

Hydraulically-operated sifters

Electro-hydraulic distributor controlled by the operator in the cabin.

Debris hopper: 350 l.

Hydraulic depth adjustment.



SIMEX BC FOR BEACH CLEANING

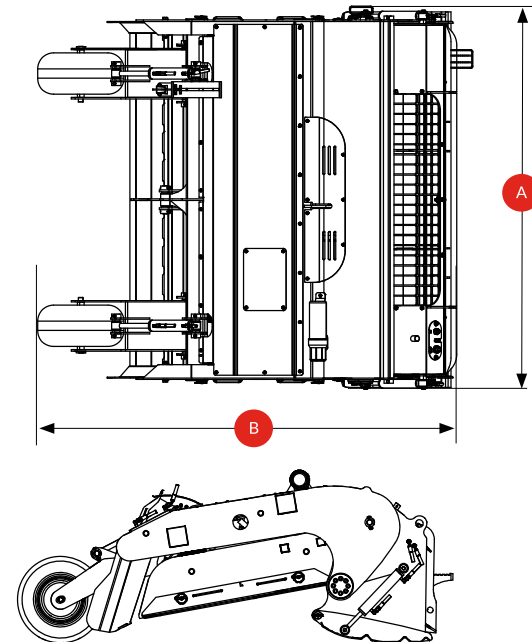
Simex BC is specially designed to free the beach from all that small, hard-to-collect waste including cigarette butts, plastics of all kinds, masks, fishing hooks, rubble, glass fragments and cans.

DOWNLOAD THE UPDATED TECHNICAL BROCHURE

Scan the QR code using your smartphone



TECHNICAL DATA		BC 200
Hopper capacity	$\frac{l}{y3}$	350 0.45
Weight (1)	$\frac{kg}{lbs}$	690 1515
Maximum oil pressure	$\frac{BAR}{psi}$	250 3625
Required oil flow	$\frac{l/min}{gpm}$	70 - 90 18 - 24
Sifting meshes – Screen size (Standard)	$\frac{mm}{inch}$	15x15 0.6x0.6
Sifting meshes – Screen size (Optional)	$\frac{mm}{inch}$	10x10 - 20x20 0.4x0.4 - 0.8x0.8
Working depth	$\frac{mm}{inch}$	0 - 200 0 - 8
Total width A	$\frac{mm}{inch}$	2035 80
Total length B	$\frac{mm}{inch}$	2320 91



(1) The installer is responsible for ensuring that the equipment meets the prime mover's specifications and weight requirement. Simex does not accept responsibility or liability for the information provided. Technical modifications may vary without prior notice.

